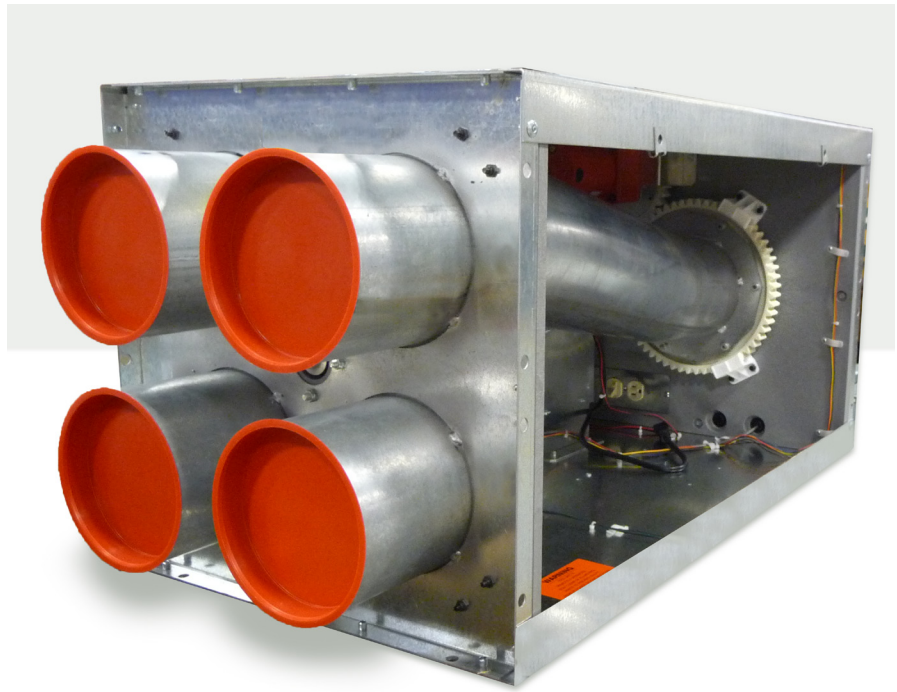


SWISSLOG SPECIFICATIONS

NEW 6-INCH 1x4 TRANSFER UNIT

A transfer unit (TU) is a switching device used at branching points in the pneumatic tube system to direct the path of a carrier from a single pipe at one end to any one of two, four, or six selectable pipes at the other end. Swisslog's new TU contains less steel than the original, saving you, and the environment, more than you can imagine.



Sometimes Less is More

Same Swisslog quality—but lighter, faster and easier to install. Here is why the new TU is better:

Less Steel, Less Weight, More Green

The new TU uses 30 percent less steel than our original transfer unit, meaning it's more environmentally sound and weighs far less—90 pounds vs. 180 pounds.

Greater Installation Flexibility

Because of its reduced weight and compact size, the new TU has the flexibility to be installed in tight spaces not possible with conventional transfer units. This results in minimal disruption during installation.

Same Components as the Standard TU

The new TU shares common components and the same type of steel frame as our time-tested and reliable standard TU, ensuring both consistent performance and readily available spare parts.

Extensive Field and Lab Testing Validates Reliability

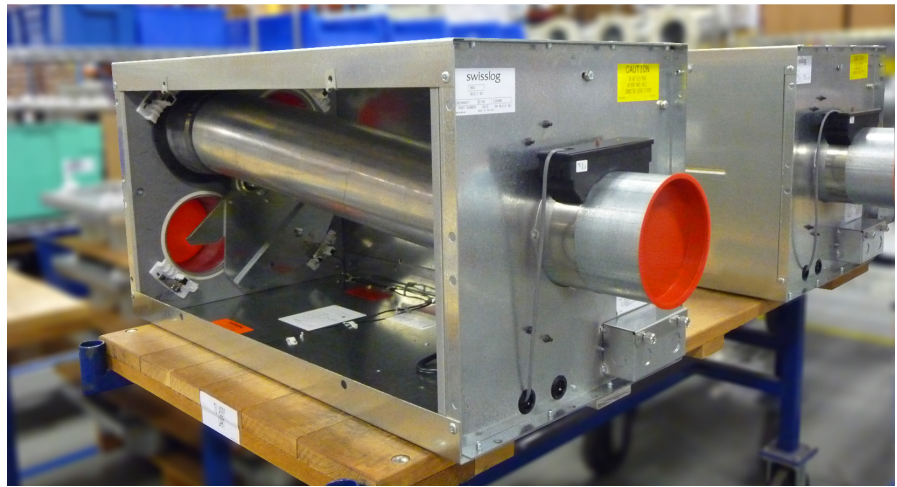
The new TU has been field and lab tested for more than 2.5 million transactions with an outstanding record of reliable performance.

Faster Carrier Positioning Yields Greater System Performance

The new TU positions carriers up to 40% faster than the original TU. For a hospital with about 8,000 pneumatic tube system transactions per day, the new TU will save about 4,000 seconds of wait time. That equates to a valuable time savings of more than one hour every day.

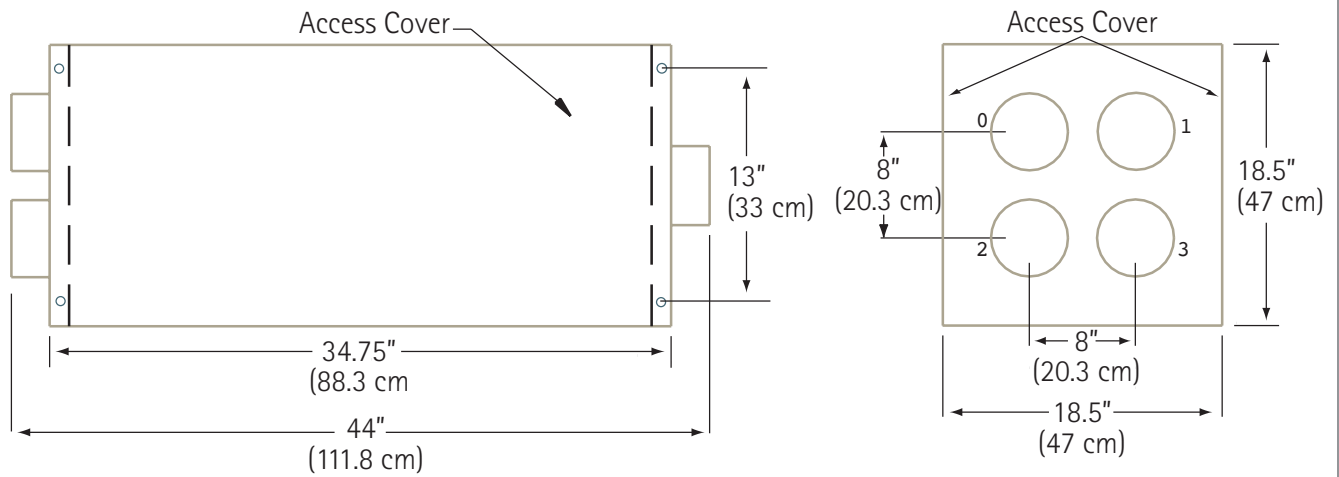
swisslog

New 6-Inch 1x4 Transfer Unit



Specifications

Weight: 90 lbs (kg)
Drive Mechanism: Electromechanical
Power Requirements: 105 to 125 VAC, 60 Hz, Single Phase, 3A



Swisslog – *Simply Better*

- > Outstanding Product Performance
- > Superior Product Reliability
- > Visionary Product Innovation
- > Excellent Customer Service and Support
- > Speedy Return-on-Investment

Ordering Transfer Unit Parts

North American customers can purchase parts online at:
<https://hcssupport.swisslognorthamerica.com>.

Customer Support Web Portal

Learn more about Swisslog's customer support web portal by visiting:
<http://www.swisslog.com/hcs-support-northamerica>.

Due to ongoing improvement programs, Swisslog reserves the right of production or design change without notice or obligation.

For More Information in North America:

Swisslog Healthcare Solutions
Email: healthcare@swisslog.com
USA: 800.764.0300 | Canada: 877.294.2831 or 905.629.2400

 Swisslog Healthcare Solutions  SwisslogNA

WWW.SWISSLOG.COM